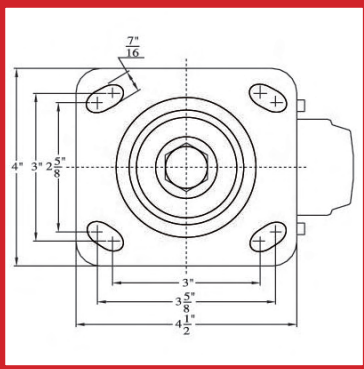


CP-HD SERIES TOP PLATE HEAVY DUTY SWIVEL AND RIGID

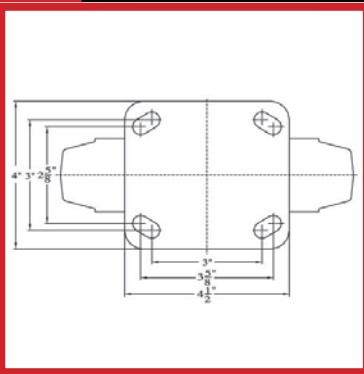


Standard Features

- Zinc Plated for Durability and Longevity
- 6mm Steel Fork Thickness
- 4" x 4-1/2" Swivel Top Plate (6mm Steel Thickness)
- Double Ball Bearing Raceways Heat Treated with Zerk Fitting
- 1/2" Axle With Zerk Fitting and Nylon Lock Nut

Brake Options

- TB – Tread Brakes (Locks Wheel Only) (Field Installable)
- NTL – Nylon Tread Brake (Locks Wheel Only) (Field Installable)
- TLB2 – Nylon Total Lock Brake (Locks Wheel & Swivel) (Field Installable)



Jacob Holtz's CP-HD Series casters provide heavier weight capacities for the demands within the industrial and commercial setting. This caster offers excellent durability and with a wide variety of wheel combinations available can give you years of service.



CP-HD SERIES TOP PLATE HEAVY DUTY SWIVEL AND RIGID

Wheel Dia	Wheel Width	Capacity	Wheel Description	Bearing	Swivel Top Plate Caster Part No.	Rigid Top Plate Caster Part No.	Load Height	Swivel Radius
4"	2"	300	Mold On Rubber	Roller	4CP-HD-264721-2260	4CP-HD-06472-2260	5-5/8"	3-9/16"
		300	TPR	Delrin	4CP-HD-264721-3030	4CP-HD-06472-3030		
				Roller	4CP-HD-264721-3060	4CP-HD-06472-3060		
		500	PP	Delrin	4CP-HD-264721-1030	4CP-HD-06472-1030		
				Roller	4CP-HD-264721-1060	4CP-HD-06472-1060		
		550	PU on PP	Delrin	4CP-HD-264721-4030	4CP-HD-06472-4030		
				Roller	4CP-HD-264721-4060	4CP-HD-06472-4060		
		650	PU on Cast Iron	Roller	4CP-HD-264721-5060	4CP-HD-06472-5060		
		750	Phenolic	Delrin	4CP-HD-264721-7030	4CP-HD-06472-7030		
				Roller	4CP-HD-264721-7030	4CP-HD-06472-7060		

Wheel Dia	Wheel Width	Capacity	Wheel Description	Bearing	Swivel Top Plate Caster Part No.	Rigid Top Plate Caster Part No.	Load Height	Swivel Radius				
5"	2"	400	Mold On Rubber	Roller	5CP-HD-264721-2260	5CP-HD-06472-2260	6-1/2"	4-1/4"				
		325	TPR	Delrin	5CP-HD-264721-3030	5CP-HD-06472-3030						
				Roller	5CP-HD-264721-3060	5CP-HD-06472-3060						
		400	PP	Delrin	5CP-HD-264721-1030	5CP-HD-06472-1030						
				Roller	5CP-HD-264721-1060	5CP-HD-06472-1060						
		600	PU on PP	Delrin	5CP-HD-264721-4030	5CP-HD-06472-4030						
				Roller	5CP-HD-264721-4060	5CP-HD-06472-4060						
		750	PU on Cast Iron	Roller	5CP-HD-264721-5060	5CP-HD-06472-5060						
		800	Phenolic	Delrin	5CP-HD-264721-7030	5CP-HD-06472-7030						
				Roller	5CP-HD-264721-7030	5CP-HD-06472-7060						
		6"	2"	450	Mold On Rubber	Roller			6CP-HD-264721-2260	6CP-HD-06472-2260	7-1/2"	5"
				350	TPR	Delrin			6CP-HD-264721-3030	6CP-HD-06472-3030		
Roller	6CP-HD-264721-3060					6CP-HD-06472-3060						
650	PP			Delrin	6CP-HD-264721-1030	6CP-HD-06472-1030						
				Roller	6CP-HD-264721-1060	6CP-HD-06472-1060						
650	PU on PP			Delrin	6CP-HD-264721-4030	6CP-HD-06472-4030						
				Roller	6CP-HD-264721-4060	6CP-HD-06472-4060						
800	PU on Cast Iron			Roller	6CP-HD-264721-5060	6CP-HD-06472-5060						
850	Phenolic			Delrin	6CP-HD-264721-7030	6CP-HD-06472-7030						
				Roller	6CP-HD-264721-7030	6CP-HD-06472-7060						
8"	2"			475	Mold On Rubber	Roller	8CP-HD-264721-2260	8CP-HD-06472-2260	9-1/2"	6-1/2"		
				375	TPR	Delrin	8CP-HD-264721-3030	8CP-HD-06472-3030				
		Roller	8CP-HD-264721-3060			8CP-HD-06472-3060						
		700	PP	Delrin	8CP-HD-264721-1030	8CP-HD-06472-1030						
				Roller	8CP-HD-264721-1060	8CP-HD-06472-1060						
		700	PU on PP	Delrin	8CP-HD-264721-4030	8CP-HD-06472-4030						
				Roller	8CP-HD-264721-4060	8CP-HD-06472-4060						
		850	PU on Cast Iron	Roller	8CP-HD-264721-5060	8CP-HD-06472-5060						
		900	Phenolic	Delrin	8CP-HD-264721-7030	8CP-HD-06472-7030						
				Roller	8CP-HD-264721-7030	8CP-HD-06472-7060						